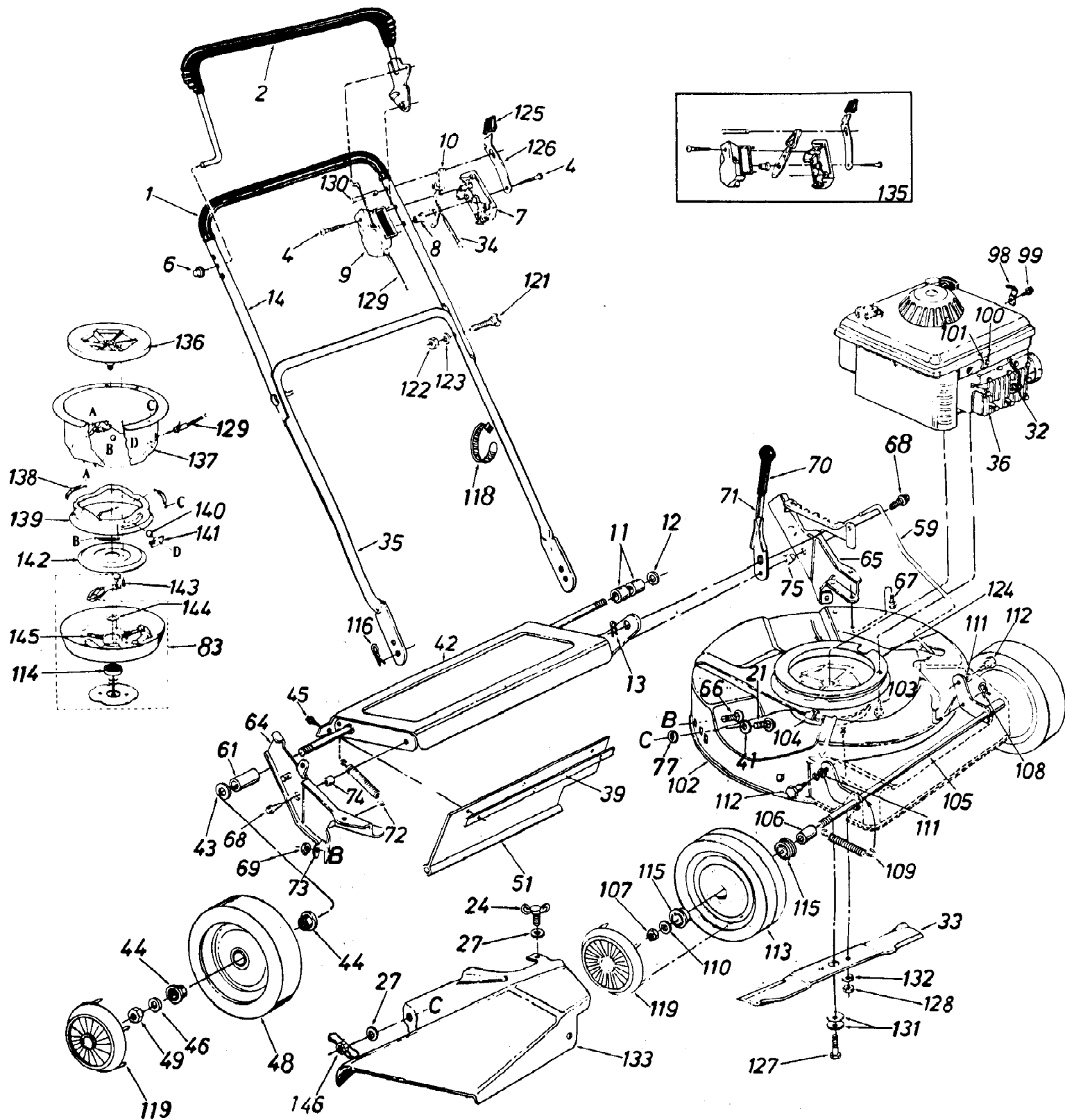


115-104-190 21" BBC Push Mower (1985)  
21" Rotary Mower Assembly



115-104-190 21" BBC Push Mower (1985)  
21" Rotary Mower Assembly

Page 2 of 3

Ref #	Part Number	Qty	S/P/F	Description
1	718-0145	1		Grip
2	731-0609	1		Control Handle Ass'y. L.H.
4	710-0796	1	/P	Truss Mach. Scr. #12 x 1.50" Lg.
6	726-0135	1	/P	Cap Speed Nut .31 Dia.
7	731-0523	1		Control Panel Half
8	731-0524	1		Control Disc Pin
9	731-0526	1		Clutch Panel Half
10	731-0528	1	S	Throttle Control Lever
11	711-0500	1	S	Spacer .526" I.D. x .690" O.D. x .640" Lg
12	736-0160	1	S	FI-Wash. .531" I.D. x .930" O.D.
13	714-0104	1	S	Intern. Cotter Pin 5/16" Dia.
14	749-0437	1		Upper Handle Chrome
21	710-0134	1	/P	Carriage Bolt 1/4-20 x .62" Lg.*
24	710-0934	1		Wing Bolt 1/4-20 x .62" Lg.
	712-0287	1	S	Hex Nut 1/4-20 Thd*
27	736-0463	1	S	FI-Wash. .280" I.D. x .620" O.D.
	736-0329	1	S	L-Wash. 1/4" I.D.*
32	735-0639	1	/P	Spark Plug Insulator
33	742-0290	1		21" Blade
34	746-0472	1	S	Throttle Control Wire 58.0" Lg.
35	749-0505	1	S	Lower Handle Chrome
36		1		Engine
39	14835	1		Retaining Strip
41	736-0204	1	/P	FI-Wash. .344" I.D. x .62" O.D.
42	16131	1		Rear Axle Ass'y
43	736-0160	1	S	FI-Wash. .531" I.D. x .930" O.D.
44	741-0180	1	S	Flange Ball Bearing 1/2" I.D.
45	710-0776	1	S	Hex AB-Tap Scr. 1/4 x .62" Lg.
46	736-0160	1	S	FI-Wash. .531" I.D. x .930" O.D.
	712-0296	1	S	Hex Patch L-Nut 3/8-24 Thd.
48	734-1026	1	S	Rear Wheel Ass'y. Comp 8 x 1.75
49	712-0200	1	S	Hex L-Nut 1/2-20 Thd.
51	731-0672	1	S	Rear Flap 3.75" x 17.30" Lg.
59	747-0510	1		Height Adj. Rod 1.50" x 19.42" Lg
61	748-0191	1	S	Spacer .51" I.D. x .69" O.D. x .690" Lg
64	16136	1	S	R.H. Handle Wheel Brkt Ass'y
65	16137	1	S	L.H. Handle Wheel Brkt Ass'y
66	710-0260	1	S	Carriage Bolt 5/16-18 x .62"
67	710-0603	1	/P	Hex Wash. Hd. B-Tap Scr. 5/16-18
68	710-0654	1	S	Hex Wash. Hd. TT-Tap Scr. 3/8-16
69	712-0267	1	S	Hex Nut 5/16-18 Thd.*
70	720-0143	1		Grip
71	732-0473	1	S	Height Adj. Lever 1.25 x 8.5" Lg
72	732-0481	1	S	Extension Spring .50" O.D. x 3.80" Lg
73	736-0242	1	/P	Bell-Wash. .345" I.D. x .88" O.D.
74	750-0526	1		Spacer.385" I.D. x .502" O.D. x .270" Lg.
75	750-0624	1		Shld. Spacer.500" Dia. x .100
77	726-0233	1	/P	Bolt Retainer 1/4 x .50" O.D.
83	14300	1		Clutch Blade Housing Ass'y.
98	12894	1		Throttle Control Cable Clip
99	710-0429	1	S	Hex B-Tap Scr. #10 x .38" Lg .
100	710-0899	1	S	Hex Sems Bolt #10-32 x .62" Lg.
101	751-0333			

115-104-190 21" BBC Push Mower (1985)  
21" Rotary Mower Assembly

Page 3 of 3

Ref #	Part Number	Qty	S/P/F	Description
102	16126	1		Top Discharge Deck Ass'y
103	710-0654	1	S	Hex Wash Hd. TT-Tap Scr. 3/8-1 6
104	712-0185	1		Speed Nut 1/4-20 U-Type
105	10662	1		Front Axle Ass'y.
106	711-0313	1	S	Sleeve .526" I.D. x .690" O.D. x .880" Lg.
107	712-0200	1	S	Hex L-Nut 1/2-20 Thd.
108	714-0104	1	S	Intern. Cotter Pin 5/16" Dia.
109	732-0482	1		Extension Spring .50" O.D. x 3.20" Lg
110	736-0160	1	S	FI-Wash. .531" I.D. x .930" O.D.
111	736-0221	1	/P	Intern. L-Wash. 3/8 x .56" O.D.
112	738-0615	1		Shld. Bolt .623" Dia. x .425
113	734-1264	1	/P	Front Wheel Ass'y. Comp 7 x 1.75
114	741-0124	1	S	Ball Brg. .669" I.D. x 1.574"
115	741-0180	1	S	Flange Ball Bearing 1/2" I.D.
116	714-0104	1	S	Intern. Cotter Pin 5/16" Dia.
118	726-0192	1		Cable Tie Triple Loop .875 Dia.
119	731-0124	1		Hub Cap Plastic
121	710-0671	1	S	Curved Carr. Bolt 5/16-18 x 1.38 " Lg .
122	712-0267	1	S	Hex Nut 5/16-18 Thd.*
123	736-0119	1	S	L-Wash. 5/16" I.D.*
124	717-0485	1		Blade Brake Clutch Comp.
125	720-0190	1	S	Spring Lever Knob
126	732-0401	1		Lockout Spring
127	710-0818	1	/P	Hex Cent. L-Bolt 3/8-24 x 2.00" (Grade 8)
128	712-0328	1		Hex Nut 3/8-24 Thd. (Grade 8)
129	746-0400	1		BBC Clutch Cable x 46.0" Lg.
130	731-0607	1		Lock Pin .314" Dia. x 1.75" Lg.
131	736-0105	1	/P	Bell-Wash. .400" I.D. x .88" O.D.
132	736-0169	1	S	L-Wash. 3/8" I.D.*
133	16148	1		Side Chute Deflector
135	753-0361	1		Kit Control Housing Comp.
136	719-0256	1		Fan Adapter
137	14307	1		Clutch Housing
138	732-0397	1		Extension Spring .35" O.D. x 1.75" Lg.
139	14305	1		Brake Cup Cone
140	741-0326	1		Steel Ball .500" Dia.
141	731-0520	1		Ball Block
142	14304	1		Clutching Cone
143	710-0875	1		Hex Tap L-Scr. 1/4-20 x .75" Lg .
144	736-0333	1		FI-Wash. .690" I.D. x 1.060" O.D.
145	732-0396	1		Compression Spring .35" O.D. x 2.00" Lg.
146	712-0109	1		Wing Nut